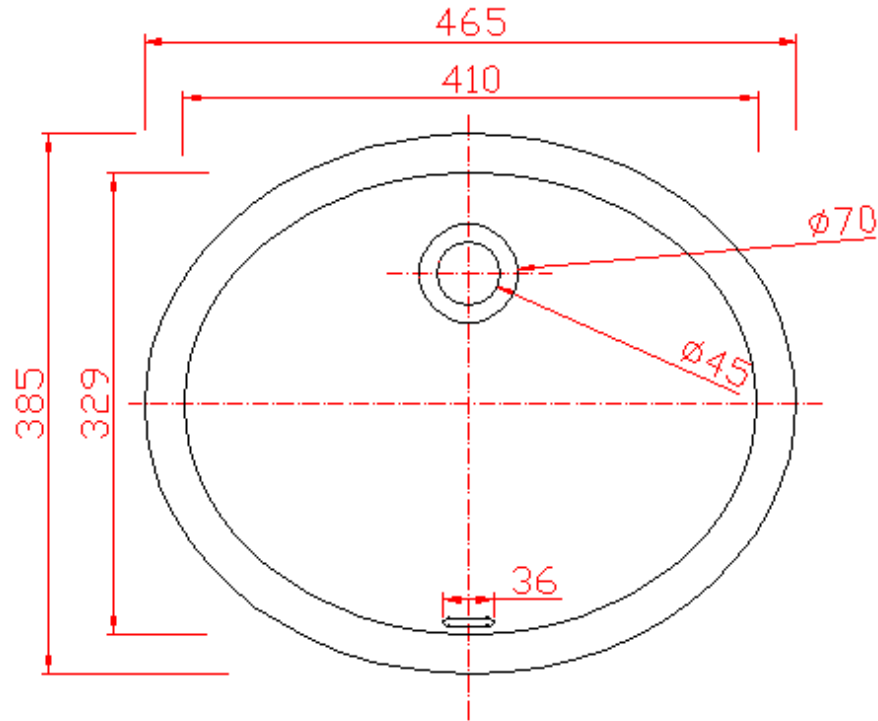
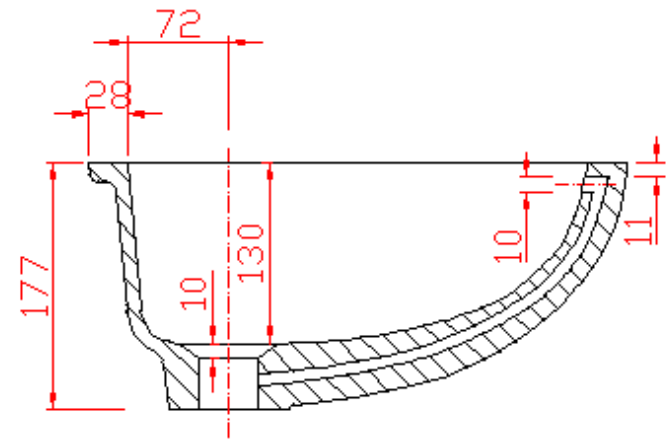
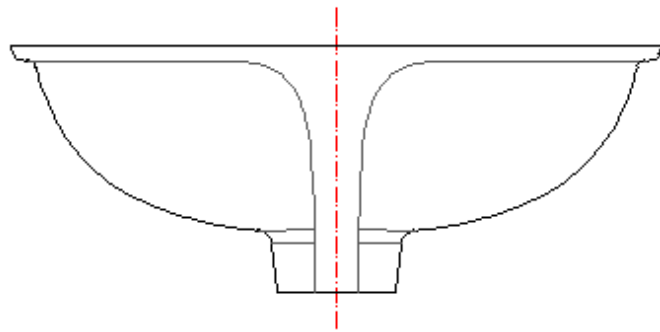


Durasein

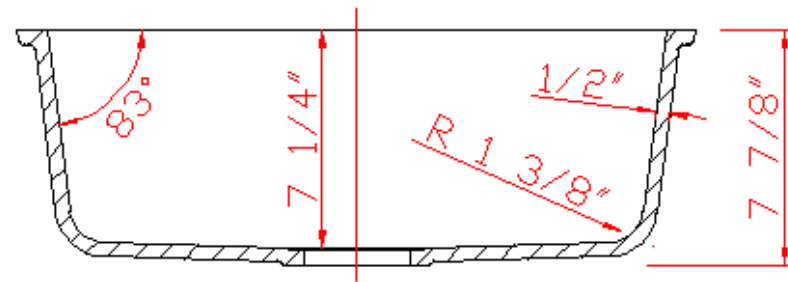
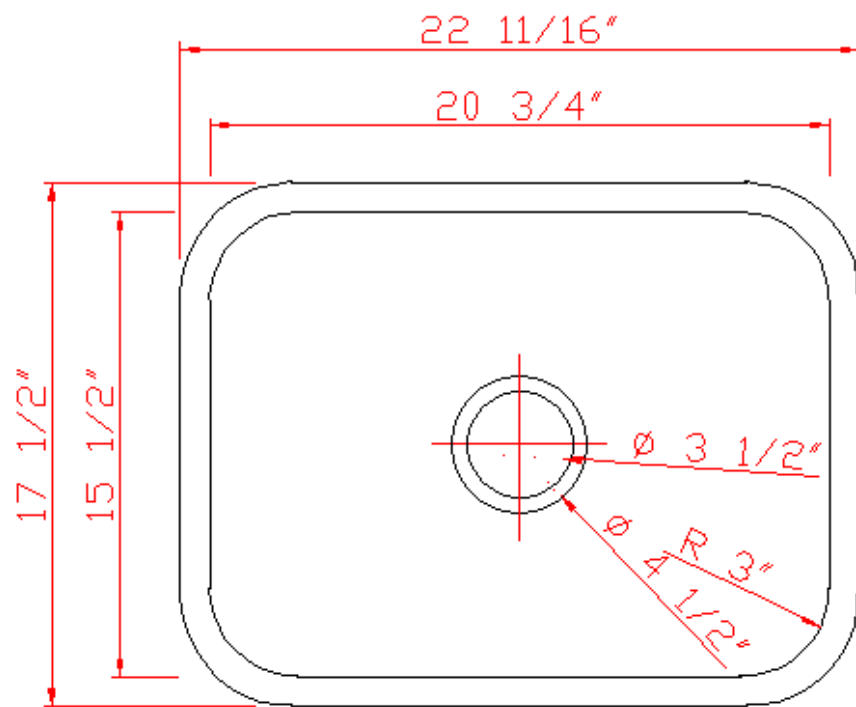
MODEL	DLA104A	DATE	1/1/2016
		UNITS	IMPERIAL
			TOLERANCE $\pm 1/8"$



Durasein

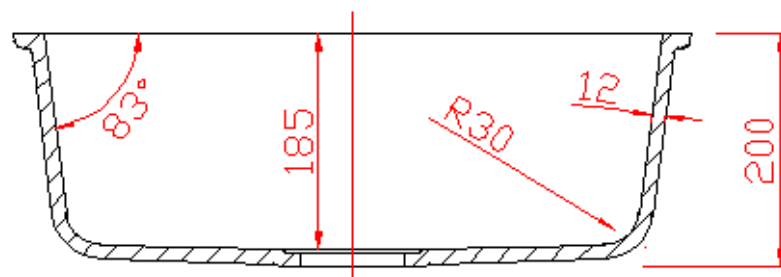
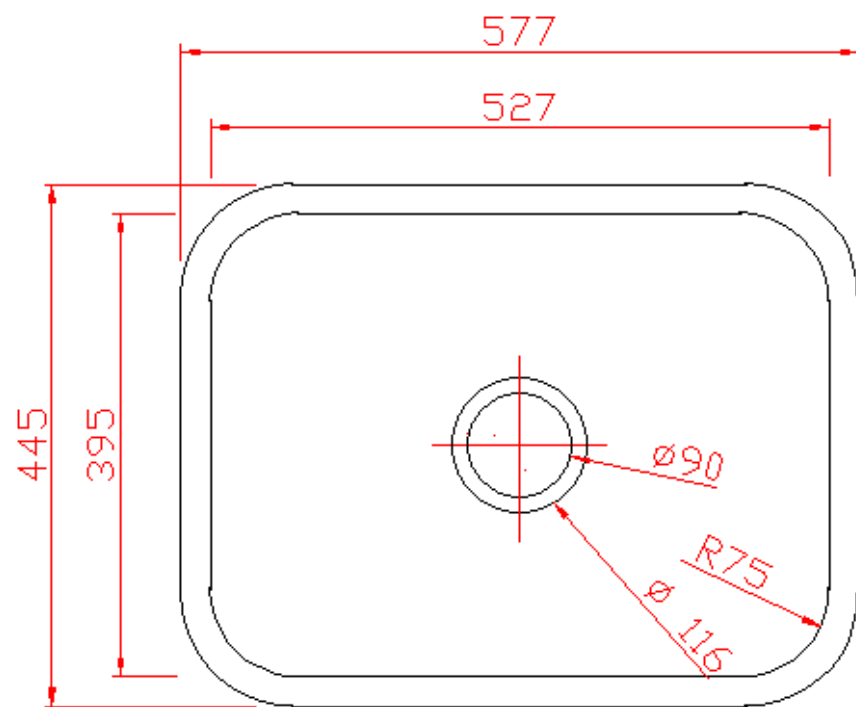
MODEL	DLA104A	DATE	1/1/2016
		UNITS	METRIC

TOLERANCE ±3mm



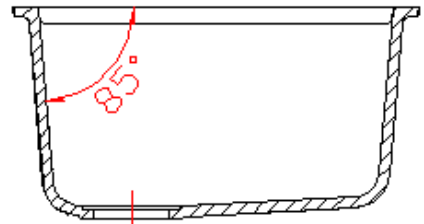
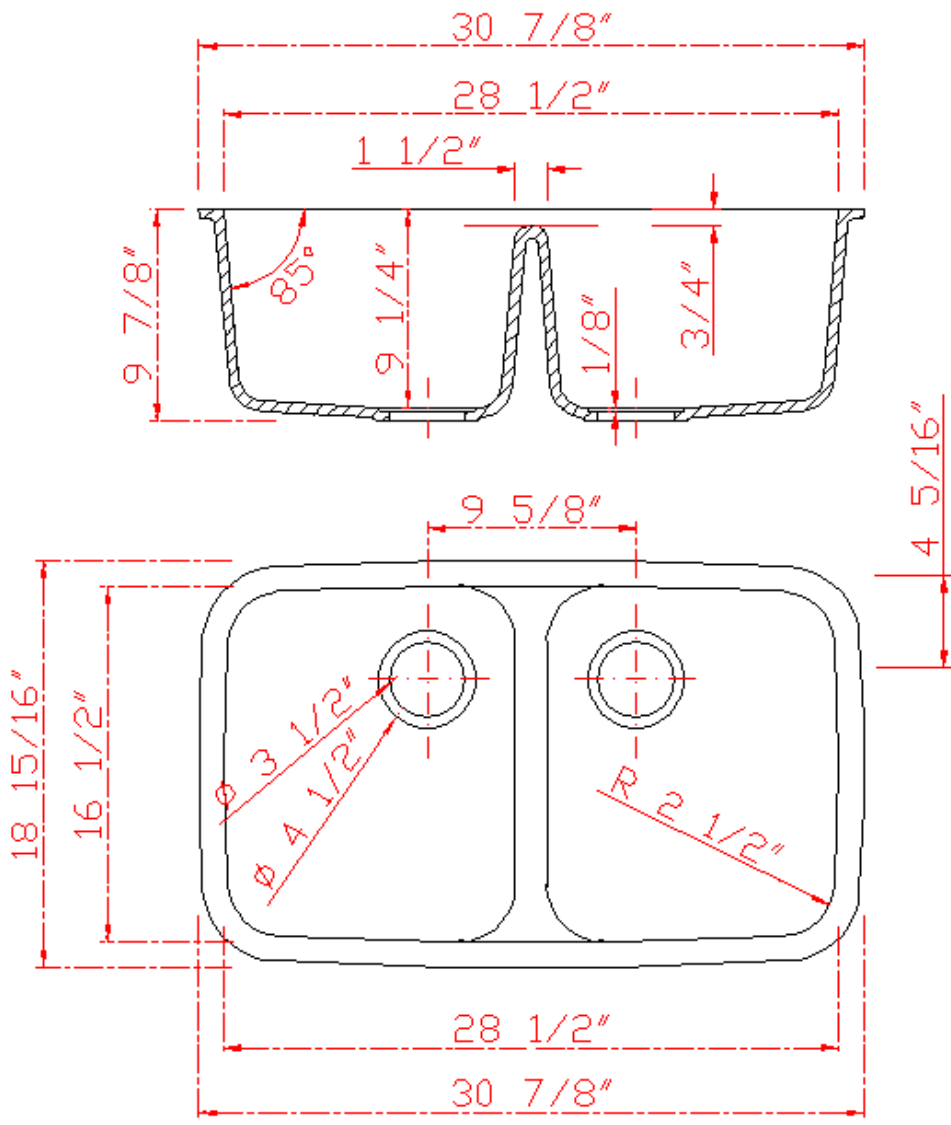
Durasein

MODEL	DLD125	DATE	1/1/2016
		UNITS	IMPERIAL
		TOLERANCE $\pm 1/8" 3/16"$	



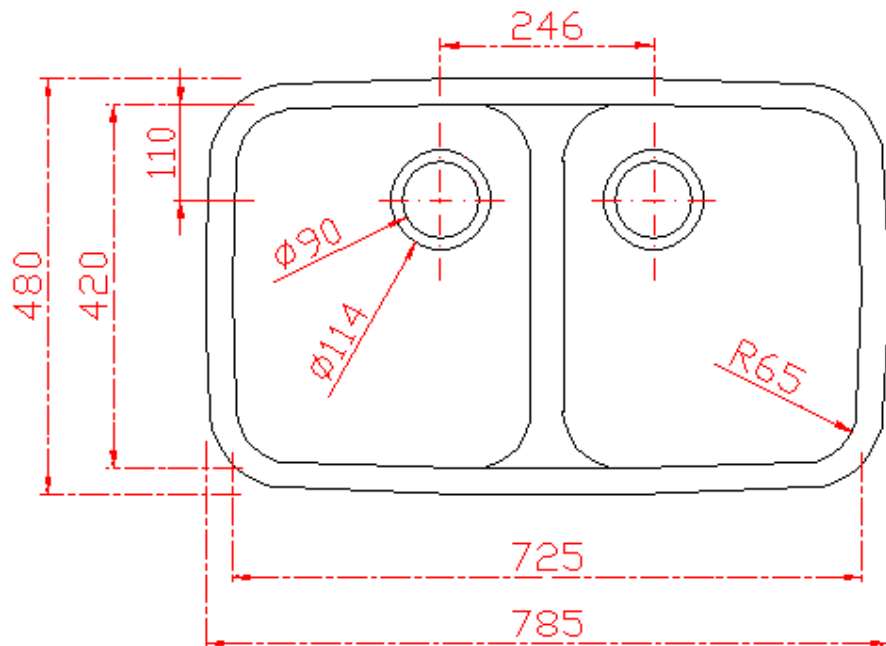
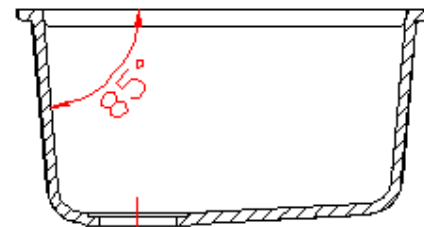
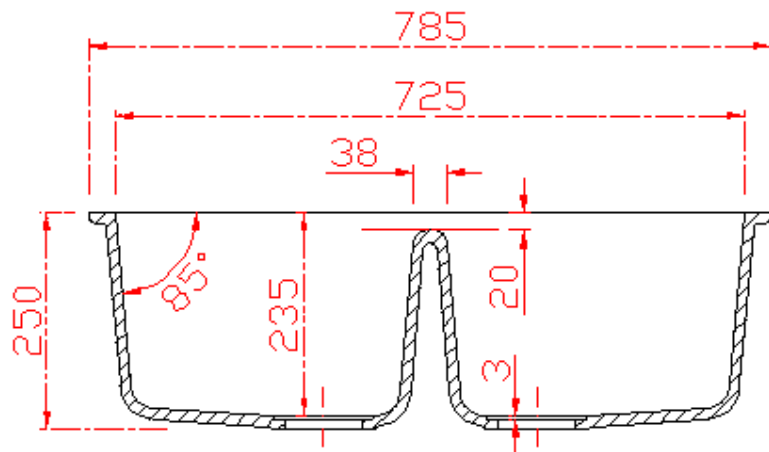
Durasein

MODEL	DLD125	DATE	1/1/2016
		UNITS	METRIC
		TOLERANCE $\pm 3\text{mm}/5\text{mm}$	



Durasein

MODEL	DLD202	DATE	1/1/2016
		UNITS	IMPERIAL
			TOLERANCE ± 1/8" 3/16"



Durasein

MODEL	DLD202	DATE	1/1/2016
		UNITS	METRIC
			TOLERANCE $\pm 3\text{mm}/5\text{mm}$