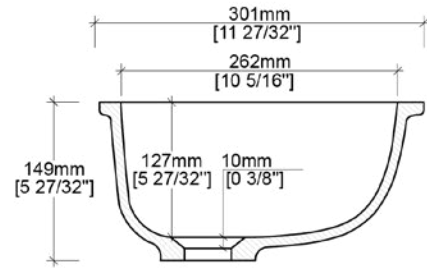
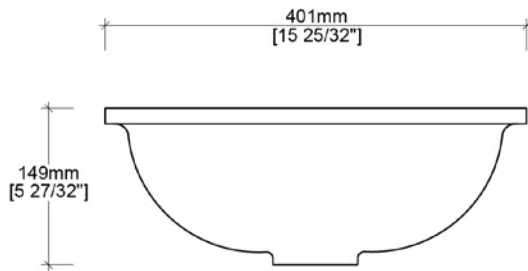




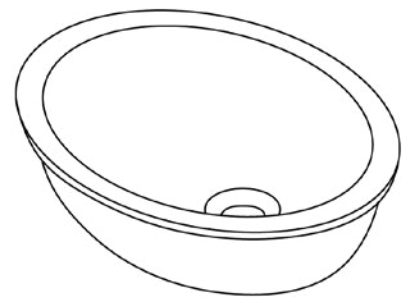
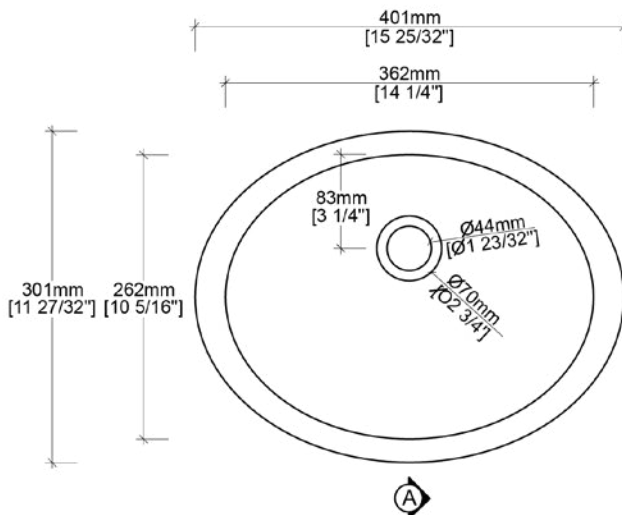
# Durasein

## Sink Information

NAME  
THE EURO  
MODEL  
DLA354  
TOLERANCE  
±3/16"



A-A





# Durasein

## Sink Information

MODEL  
DLA354  
DATE  
2022

### Features & Benefits

- 100% acrylic
- Easy to clean
- Non-porous
- Stain resistant
- Mold & mildew resistant
- Suitable for residential & commercial applications
- Integral overflow :: no

### Installation Tips

- Undermount
- No faucet holes
- Drain assembly not included
- Drain hole size: 1 3/4" (44mm)

### Available Colors



Color shown may vary from actual product. Request sample prior to product selection. We'd love to create something a little more custom for you, longer lead times with minimum order quantity apply.

### Codes/Standards/Tech Info

- Durasein solid surface sinks and lavatories are certified by Home Innovation Research Labs and tested in accordance with CSA B45.5/IAPMO Z124
- All dimensions are nominal
- Details and specifications are subject to change
- ADA compliant when installed in accordance to ADA guidelines

### Quick Dimensions

- Width 15 25/32" (401mm)
- Height 5 27/32" (149mm)
- Length 11 27/32" (301mm)

### Durasein Limited Warranty

- 10 year limited warranty against manufacturing defects under normal use.

See website for detailed warranty information. Durasein reserves the right to make reservations without notice to product specifications. For the most current information, for to [durasein.com](http://durasein.com).