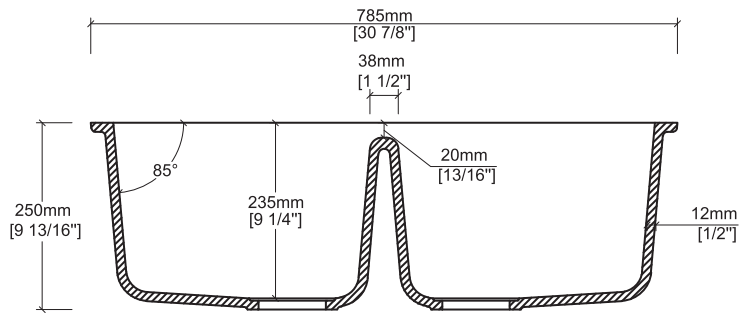
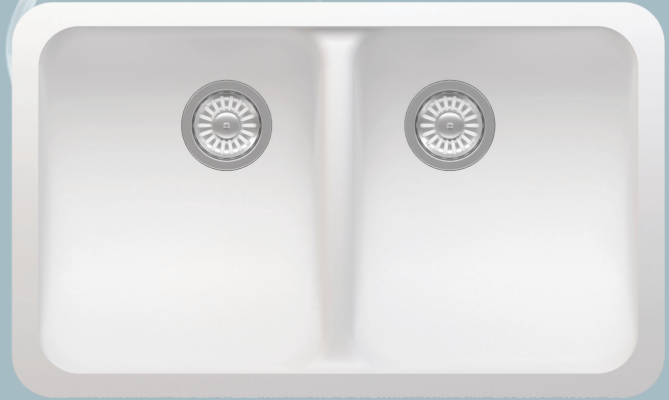




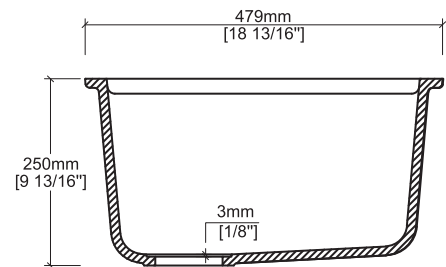
Durasein

Sink Information

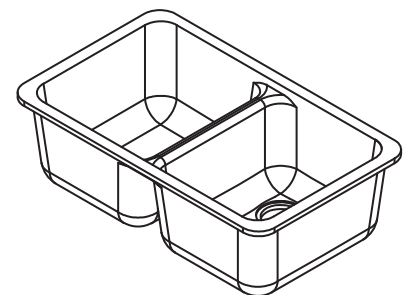
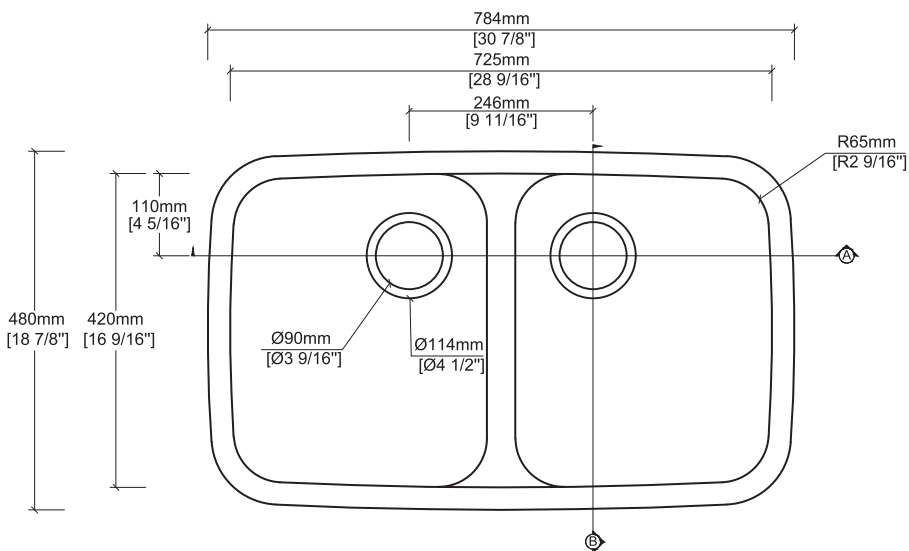
NAME
THE HENRI
MODEL
DLD202
TOLERANCE
 $\pm 3/16$ "



A-A



B-B





Durasein

Sink Information

MODEL
DLD202
DATE
06.30.20

Features & Benefits

- 100% acrylic
- Easy to clean
- Non-porous
- Stain resistant
- Mold & mildew resistant
- Suitable for residential & commercial applications
- Integral overflow :: no

Installation Tips

- Undermount
- No faucet holes
- Drain assembly not included
- Drain hole size: 3½" (89mm)

Codes/Standards/Tech Info

- Durasein solid surface sinks and lavatories are certified by Home Innovation Research Labs and tested in accordance with CSA B45.5/IAPMO Z124
- All dimensions are nominal
- Details & specifications are subject to change
- ADA compliant when installed in accordance to ADA guidelines

Quick Dimensions

- Length: 30⁷/₈" (785mm)
- Width: 18⁷/₈" (480mm)
- Height: 9¹³/₁₆" (250mm)

Durasein Limited Time Warranty

- 10 year limited warranty against manufacturing defects under normal use.

See website for detailed warranty info. Durasein reserves the right to make revisions without notice to product specifications. For the most current info, go to durasein.com.

Available colors



Color shown may vary from actual product. Request sample prior to product selection.
We'd love to create something a little more custom for you, longer lead times with minimum order quantities apply.