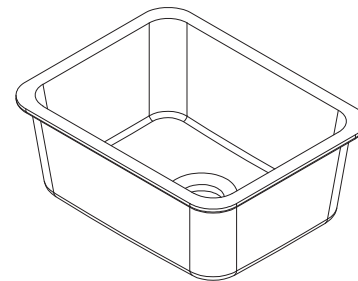
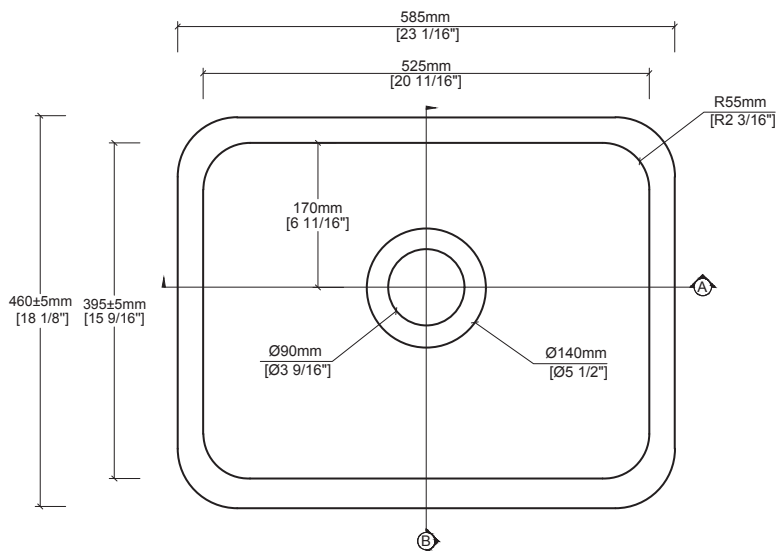
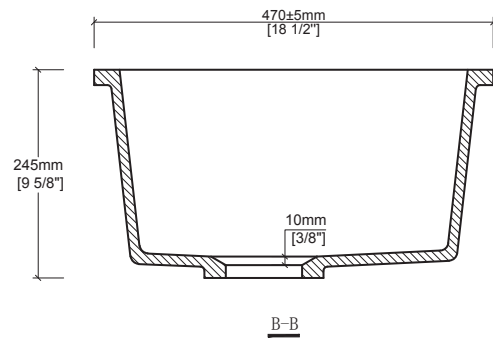
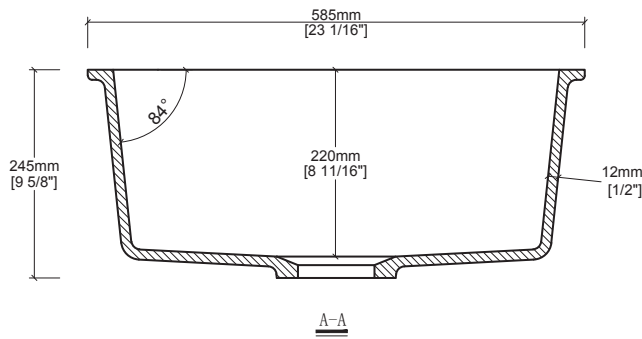




# Durasein

## Sink Information

MODEL  
RLD100  
TOLERANCE  
±3/16"





# Durasein

## Sink Information

MODEL  
RLD100  
DATE  
02.10.21

### Features & Benefits

- 100% acrylic
- Easy to clean
- Non-porous
- Stain resistant
- Mold & mildew resistant
- Suitable for residential & commercial applications
- Integral overflow :: no

### Installation Tips

- Undermount
- No faucet holes
- Drain assembly not included
- Drain hole size: 3 9/16" (90mm)

### Available Colors



Color shown may vary from actual product. Request sample prior to product selection. We'd love to create something a little more custom for you, longer lead times with minimum order quantity applies.

### Codes/Standards/Tech Info

- Durasein solid surface sinks and lavatories are certified by Home Innovation Research Labs and tested in accordance with CSA B45.5/IAPMO Z124
- All dimensions are nominal
- Details and specifications are subject to change
- ADA compliant when installed in accordance to ADA guidelines

### Quick Dimensions

- Length 23 1/16" (585mm)
- Width 18 1/2" (470mm)
- Height 9 5/8" (245mm)

### Durasein Limited Warranty

- 10 year limited warranty against manufacturing defects under normal use.

See website for detailed warranty information. Durasein reserves the right to make reservations without notice to product specifications. For the most current information, for to durasein.com.