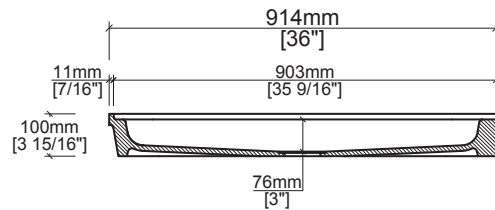
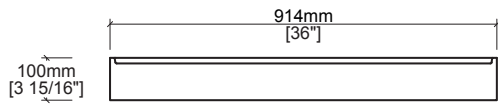




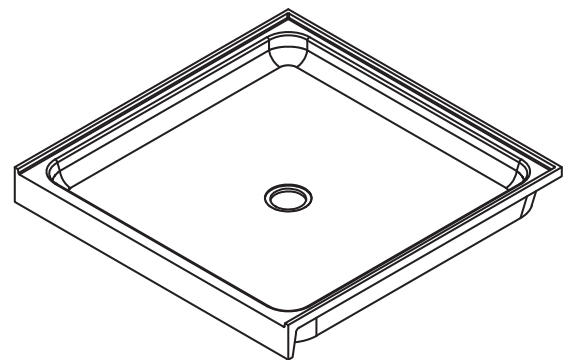
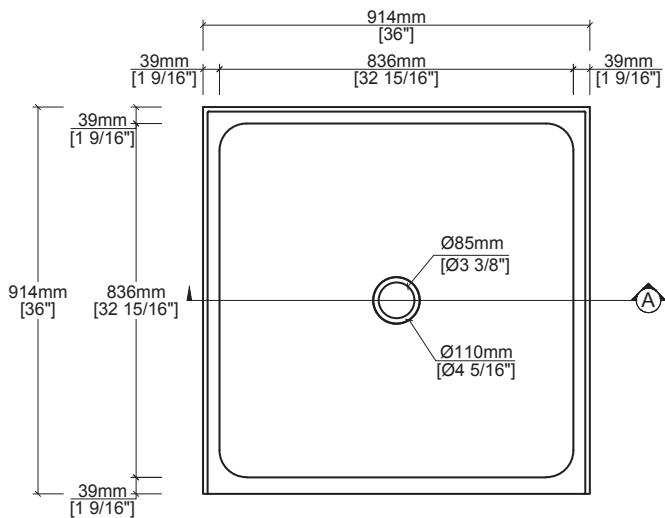
# Durasein

## Shower Information

MODEL  
RLF100  
TOLERANCE  
±3/16"



A-A





# Durasein

## Shower Information

MODEL  
RLF100  
DATE  
02.10.21

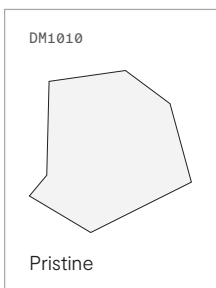
### Features & Benefits

- 100% acrylic
- Easy to clean
- Non-porous
- Stain resistant
- Mold & mildew resistant
- Suitable for residential & commercial applications

### Installation Tips

- Level floor shower tray
- Drain assembly not included
- Drain hole size: 3 3/8" (85mm)

### Available Colors



Color shown may vary from actual product. Request sample prior to product selection. We'd love to create something a little more custom for you, longer lead times with minimum order quantity applies.

### Codes/Standards/Tech Info

- All dimensions are nominal
- Details and specifications are subject to change
- Adhere to local, state/province and country codes & regulations at all times

### Quick Dimensions

- Length 36" (914mm)
- Width 36" (914mm)
- Height 3 13/16" (177mm)

### Durasein Limited Warranty

- 10 year limited warranty against manufacturing defects under normal use.

See website for detailed warranty information. Durasein reserves the right to make reservations without notice to product specifications. For the most current information, for to [durasein.com](http://durasein.com).